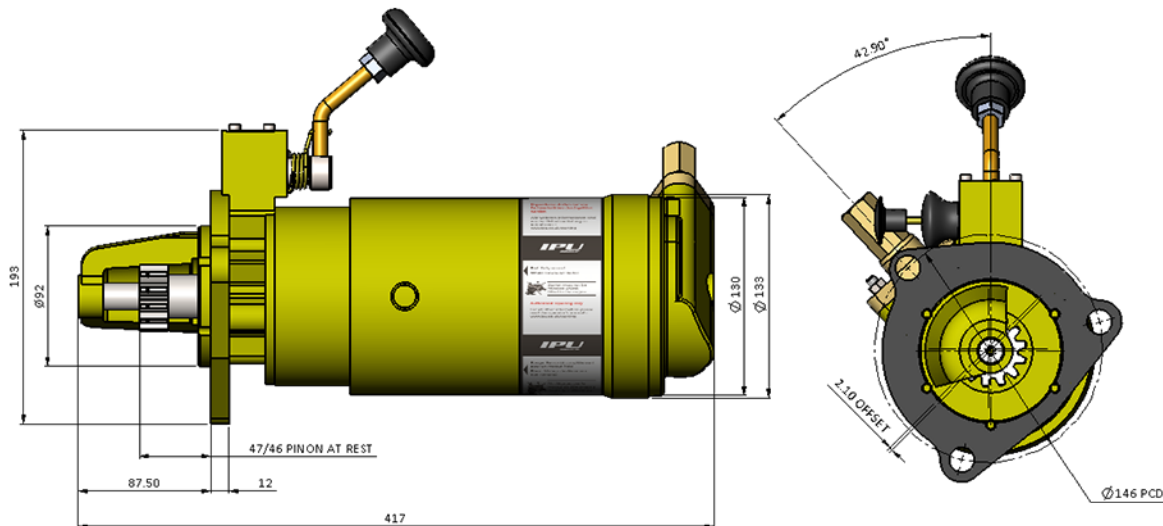


W-S6-A2A-6F MECHANICAL SPRING STARTER



Specifications

Date of Issue: 16/01/2019

Revision: 1

Rotation	Clockwise when viewed from pinion end.
Engine Capacity	Max 6 cylinders up to 2 litre per cylinder (subject to local environmental conditions and engine start-up load)
Peak Torque Output (Nm) (ft lb)	140 (104)
Maximum Output Turns	3 ½
Cold Starting to 0°C	Some engines require starting aids at lower temperatures.
Max. Winding Load Torque (Nm) (ft lb)	95 (70).
Turns to Fully Wind	Approximately 15 turns of the handle. *Colour coding as follows: Red = Fully wound, Yellow = Approaching fully wound, White = Not wound
Mounting Flange Type	SAE 2 & 3 (see dimensions on the diagram above)
Pinion	11T 6/8 FS, 52.5 mm OD.
Standard Equipment	Winding handle, handbook, set-up gauge.
Optional Features	Available in marine and electric cut switch build
Offset (mm)	(-) 2.1
Weight (kg)	23
Packaged Weight (kg)	26
Dimensions (hwd) (mm)	146x193x417 *Packaged dimensions: 240x250x500

